



Prior to starting your installation, please take time to carefully read and fully understand the following instructions. These will assist you in a hassle free installation.

LightTower is designed for a cabinet thickness of 18 mm only, and requires a minimum internal cabinet depth of 468 mm. Drawers are not recommended to be installed above 1600 mm height from floor. It is not possible to fit behind traditional in-frame kitchens.

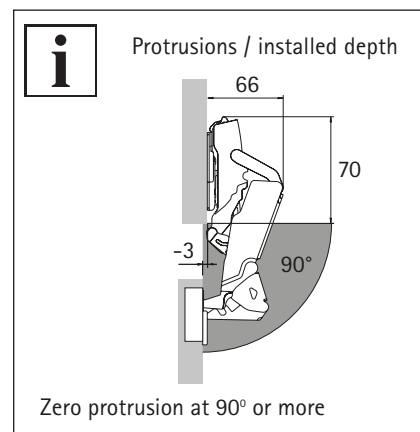
If you have fixed shelves within an existing cabinet it may be necessary to remove these. Please carefully check the dimensions on pages 2 and 3. Failure to do so, may result in the drawers fouling on the shelves. If you find that neither of these options will suit your scenario, please refer to the critical planning dimensions at the bottom of page 7. These will enable you to plan your own bespoke version.

Please note: Standard 110 degree hinges are not suitable for this application and must be replaced with Hettich Sensys 8657i -165 Degree zero protrusion hinges. Please refer to www.lighttower.co.uk

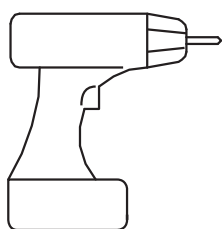
Set will consist of 5 fully assembled drawers, including the following:

- 1 x 101 mm high drawer and runners
- 4 x 187 mm high drawer and runners
- 1 x runner jig
- 5 x Magnets
- 1 x USB charging cable

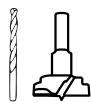
1. You need to remove any and all doors from the cabinet, and place them safely to one side. Then remove all hinges and mounting plates.
2. On the following pages you will find 2 options. Pick the most suitable version for your application. Pay careful attention to your specific unit and door sizes. You may need to make adjustments to our recommendations.



Tools required



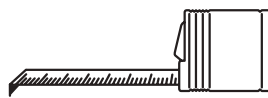
Cordless Drill / Driver



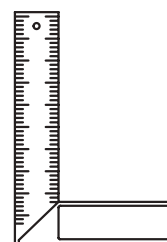
2mm and 35mm Drill Bits



Fixing Screws (not supplied)



Tape Measure



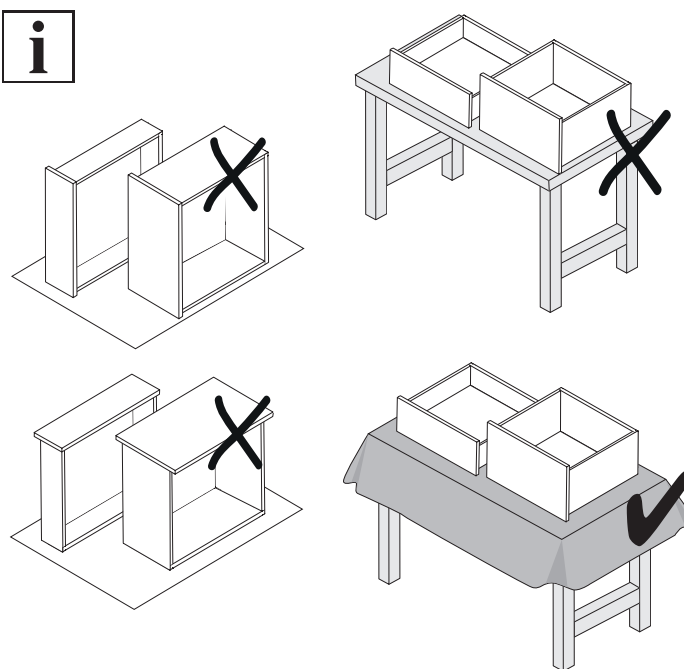
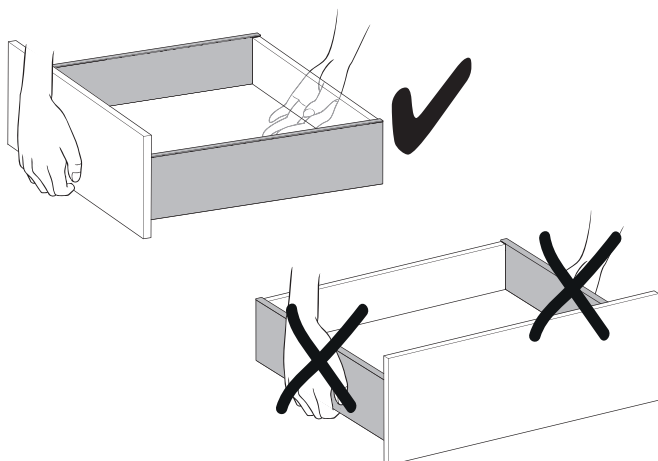
Set Square



Pencil



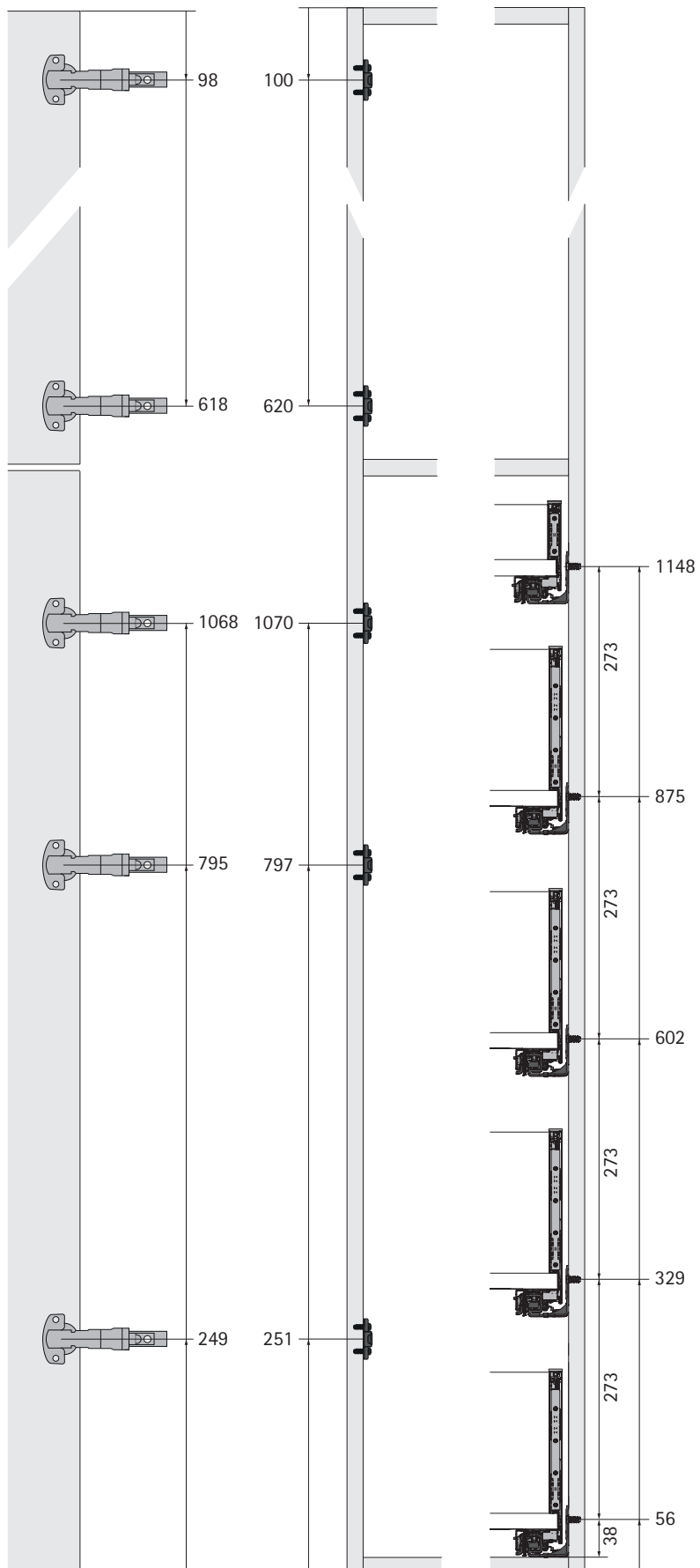
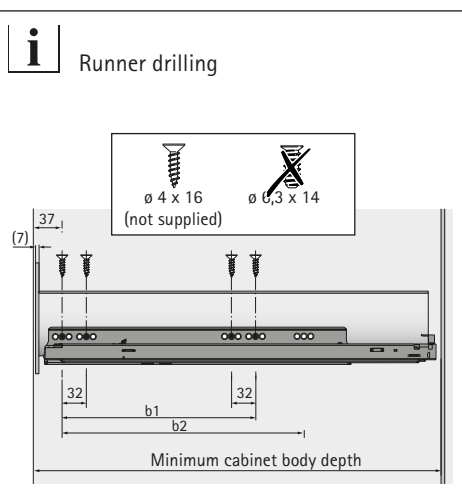
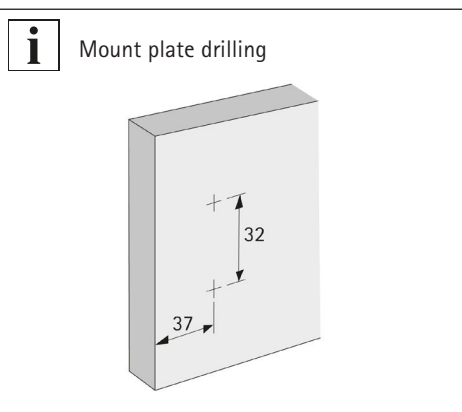
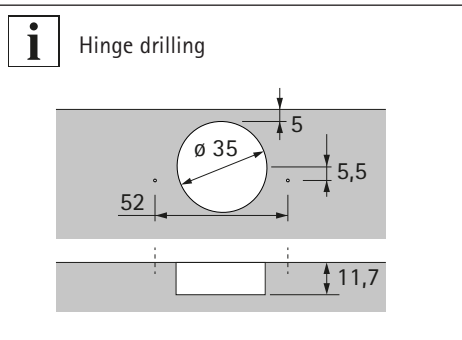
Bradawl





Suggested runner and hinge positions are based upon a standard 716mm door at the top. You should always double check your own door sizes, and cabinet end panel drillings in order to avoid any drilling conflicts/implications.

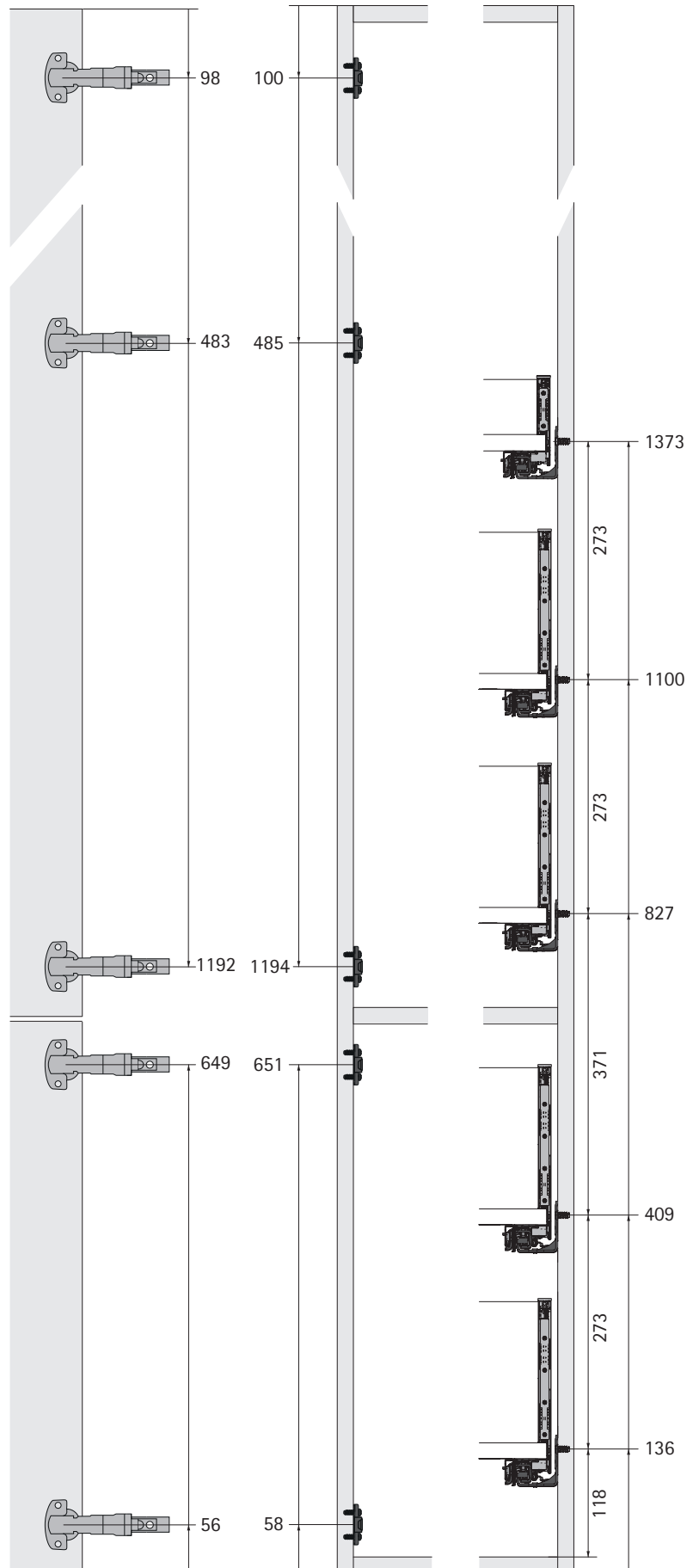
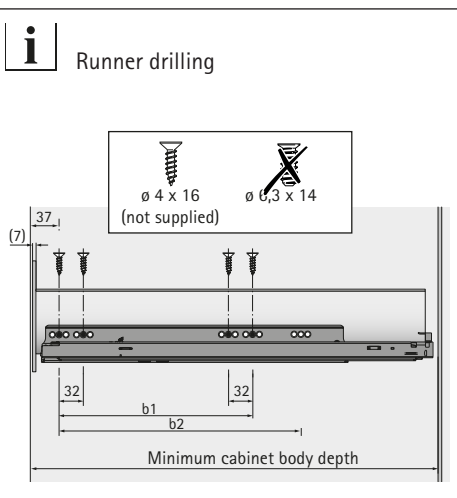
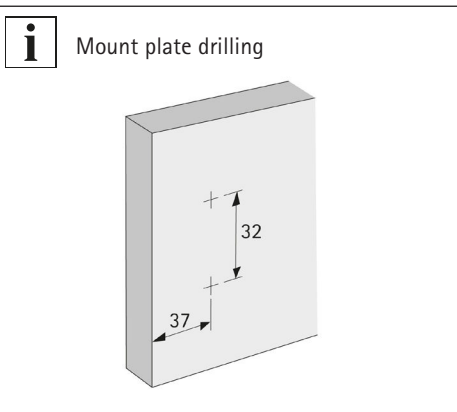
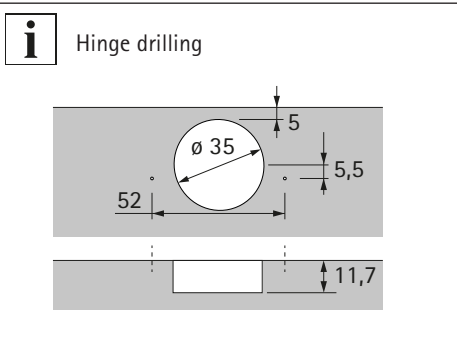
Special attention should be paid if removing none Hettich Hinges. It may be necessary to amend the hinge and plate drillings to avoid clashing with existing holes. You should also pay special attention to your specific door design. It may be necessary to adjust our suggested drilling to avoid damaging your doors.





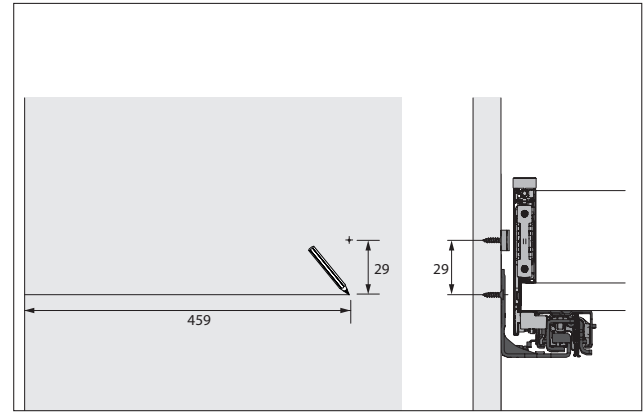
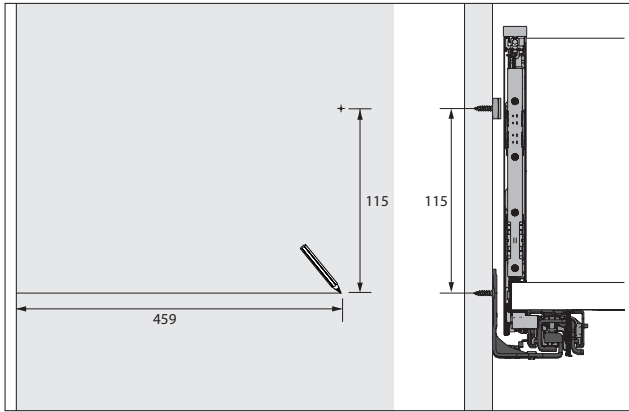
Suggested runner and hinge positions are based upon a standard 716mm door at the bottom. You should always double check your own door sizes, and cabinet end panel drillings in order to avoid any drilling conflicts/implications.

Special attention should be paid if removing none Hettich Hinges. It may be necessary to amend the hinge and plate drillings to avoid clashing with existing holes. You should also pay special attention to your specific door design. It may be necessary to adjust our suggested drilling to avoid damaging your doors.

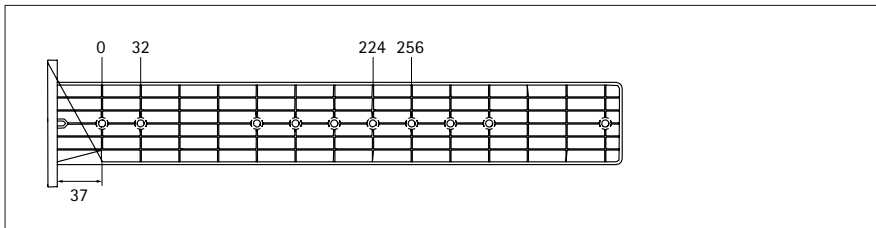


Please begin by carefully marking out **all** of the relevant drillings positions.

1. Once you are happy that you have the suitable measurements for your specific application; using a tape measure and pencil, mark the runner fixing positions close to front edge of cabinet on both end panels.
2. On the left side cabinet end panel, using set square extend this line back into the cabinet by 459 mm. For the bottom 4 drawers mark with a pencil 115mm up, and for the top drawer mark at 29 mm up before using a bradawl prior to screwing on the magnets.



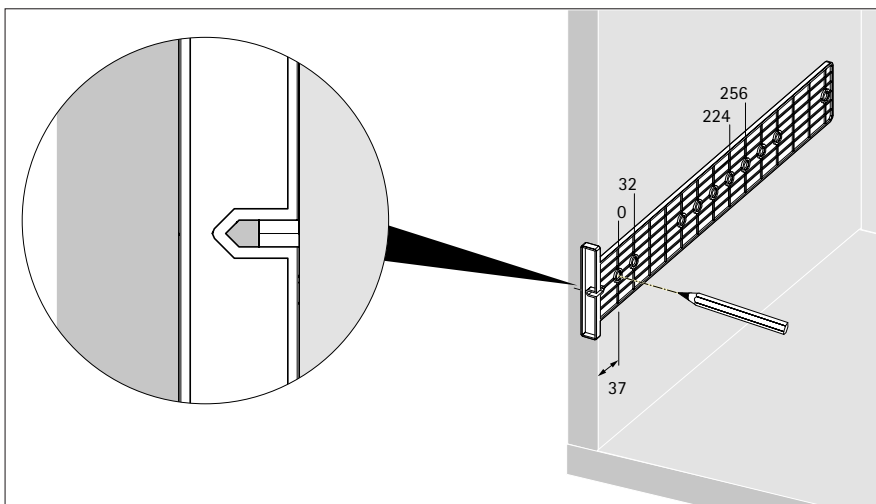
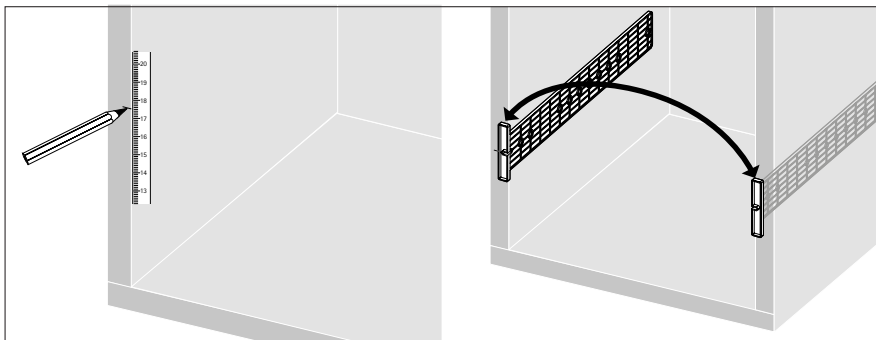
3. Position runner jig on pencil line, and using a pencil mark the holes indicated below.



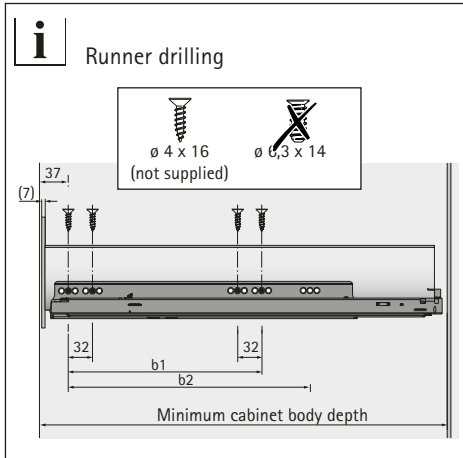
Scan for
installation video



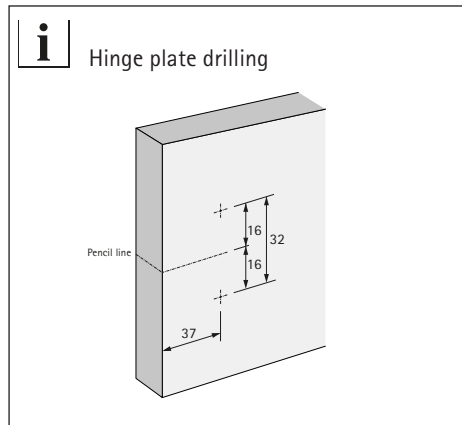
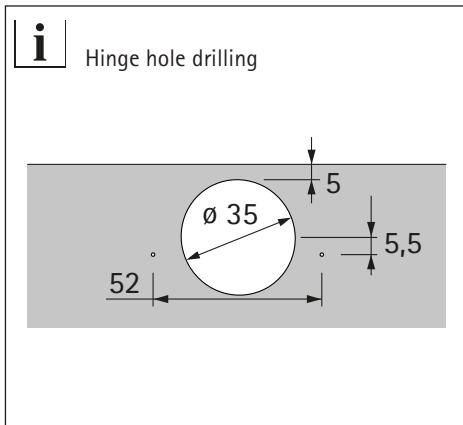
Unless you are a competent fitter, we suggest marking with a pencil, and not a drill as shown in the video.



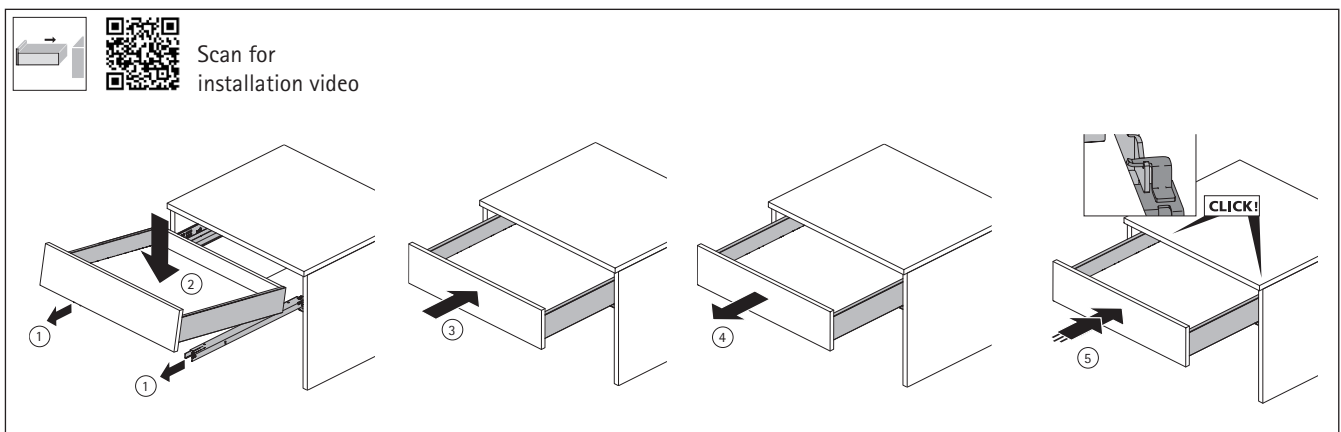
4. Fix runners starting with the 2nd hole back on the runner.



5. Fix magnets using screws provided.
6. Fit new mounting plates to the cabinet end panels in the positions identified on previous page.
Prior to Drilling the door please pay careful attention to your specific door design. Assuming the drilling positions do not cause any clash with the door design, drill the door and fix your new hinges on door. Then reattach door to cabinet.



7. Position and load drawers onto runners

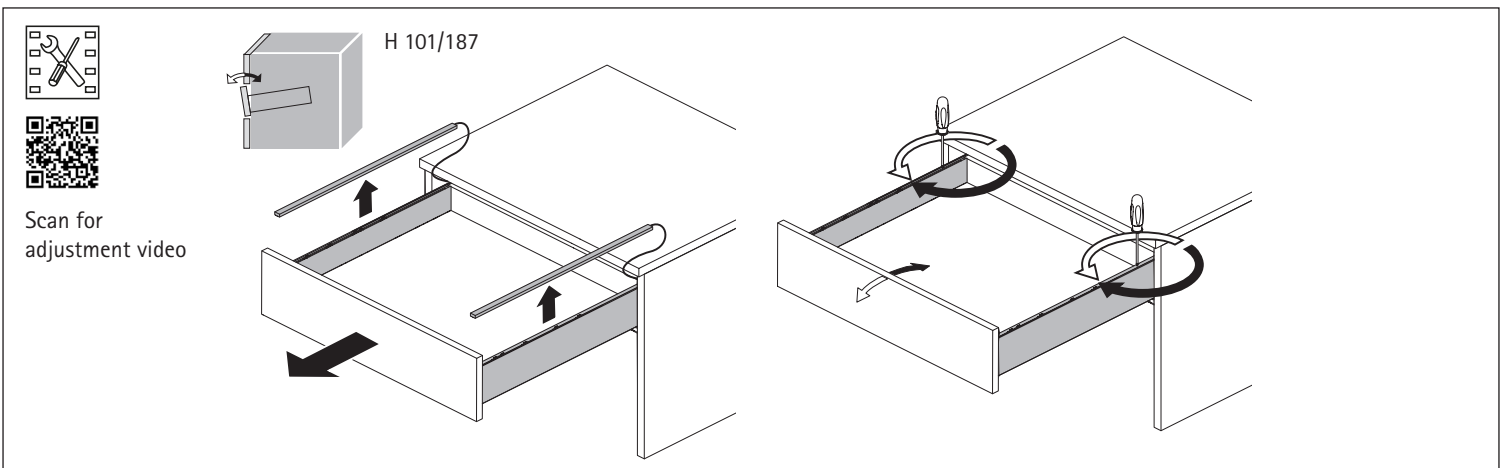
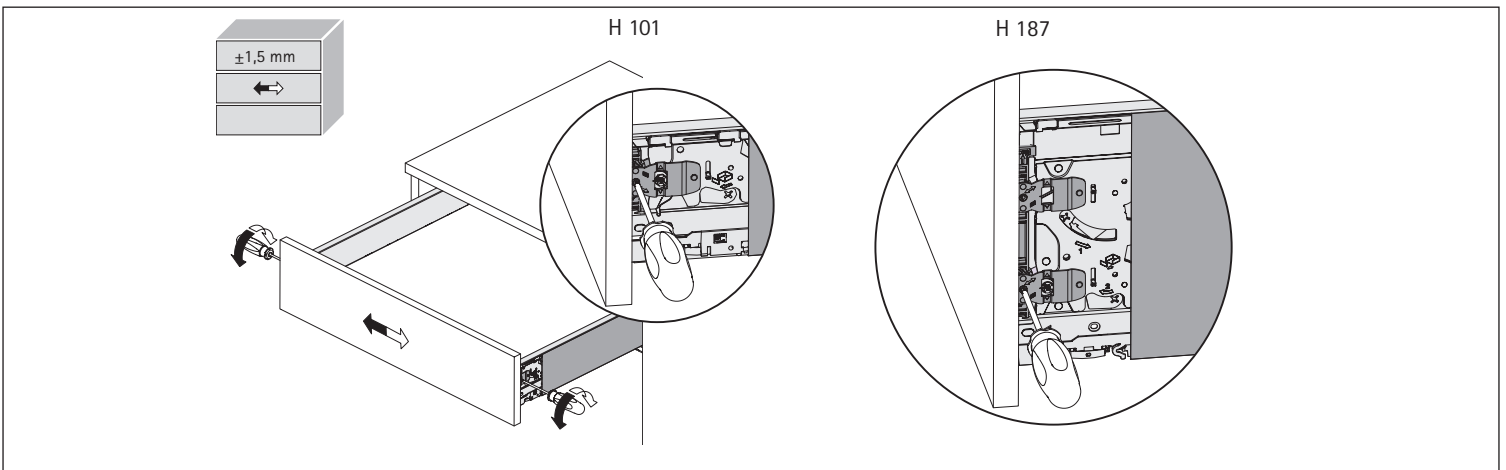
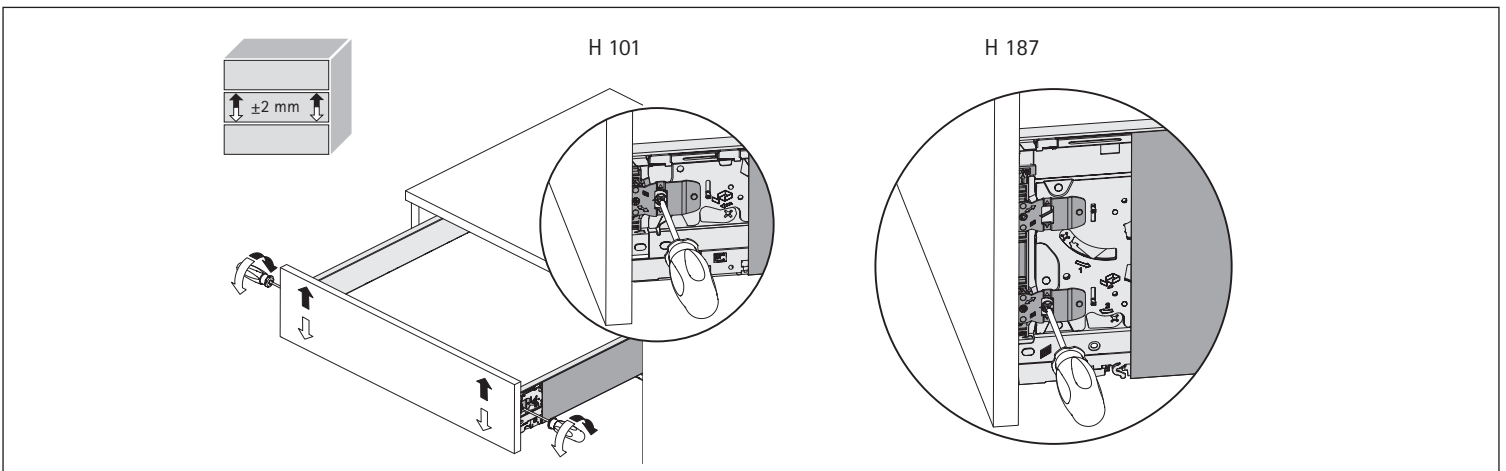
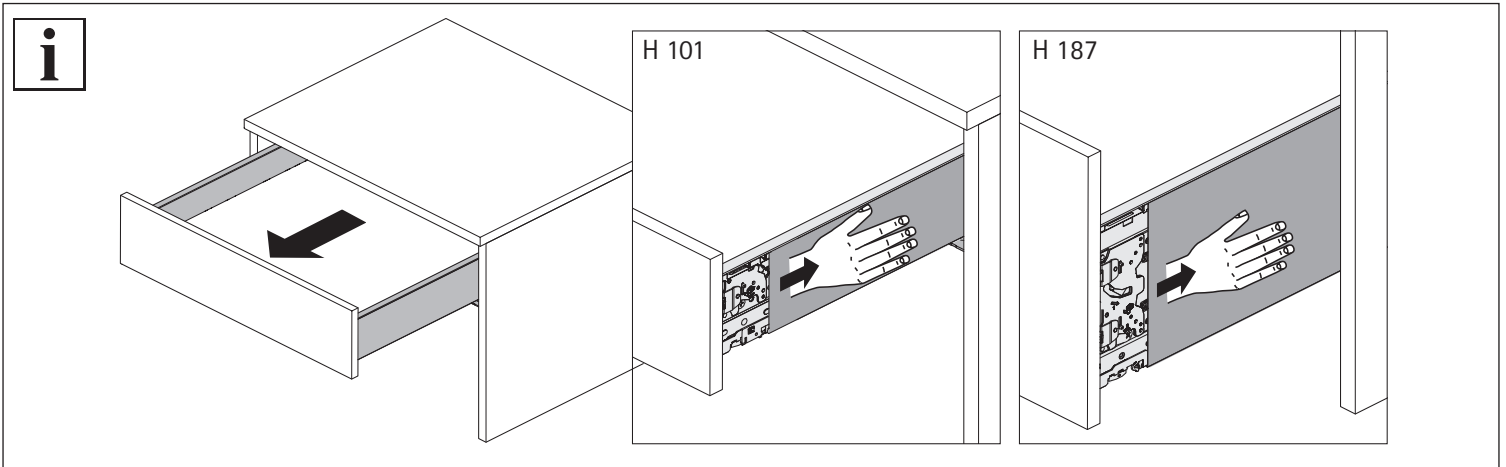


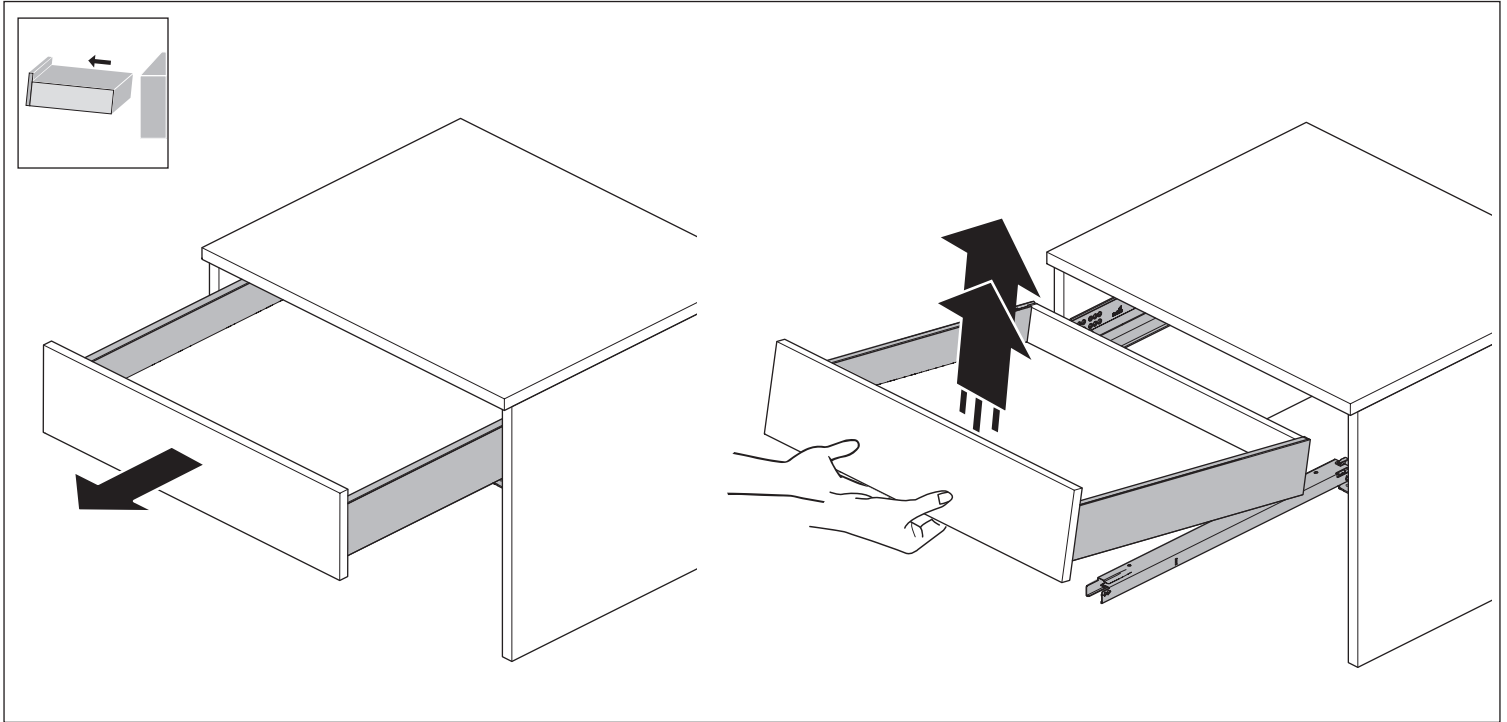
8. It shouldn't be necessary to adjust the drawer front panel, but if you do please see page 6 for guidance.
9. Close the doors, and adjust the hinges / hinge plates accordingly to achieve the desired alignment.



AvanTech YOU Illumination presents

Light Tower®

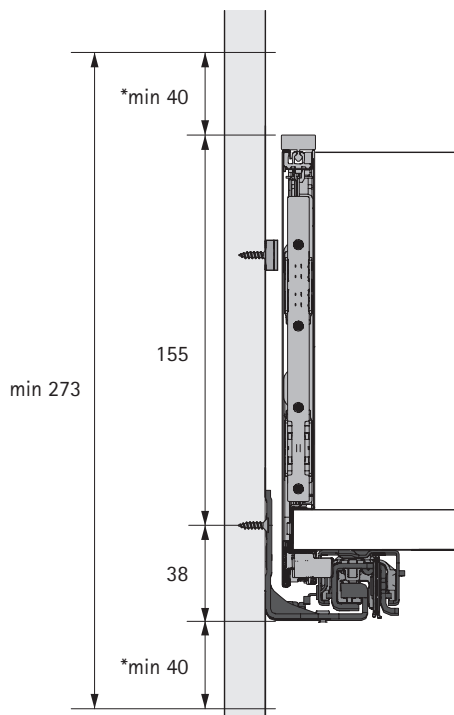




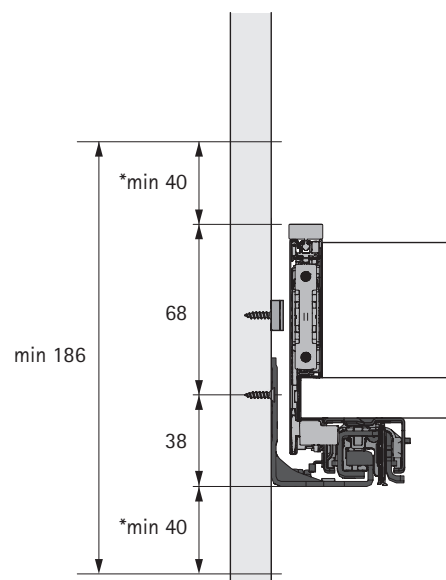
Critical Planning dimensions

You may find that our suggested planning dimensions will not work in your specific scenario. If that is the case, please use the below critical dimensions when working out your own positions.

Note: *Minimum 40mm is to the centre line of any hinge plate. If you have a fixed shelf / panel or drawer this can be reduced to a minimum 30mm. It is possible to fit the bottom drawer 10mm up from bottom panel, assuming there is no hinge plate interference.



187mm Pot and Pan Drawer



101mm Cutlery Drawer